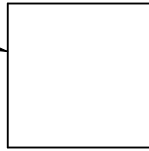


Junction Box for Wire Termination  
 Double Gang Size or larger  
 Mounted Nearby the Door  
 Hidden If Possible



IR or Other Detector for Automatic  
 Unlocking of Door When Exiting Secure  
 Area If Exit Card Reader is Not Used



Optional Magnetic  
 Sensor if Strike Does  
 Not Have a Latch  
 Position Sensor



Proximity Style Card Reader  
 Recommended Mounting Height  
 3 - 5 Feet Near Opening Side of Door  
 For Entry and Optional Exit Readers



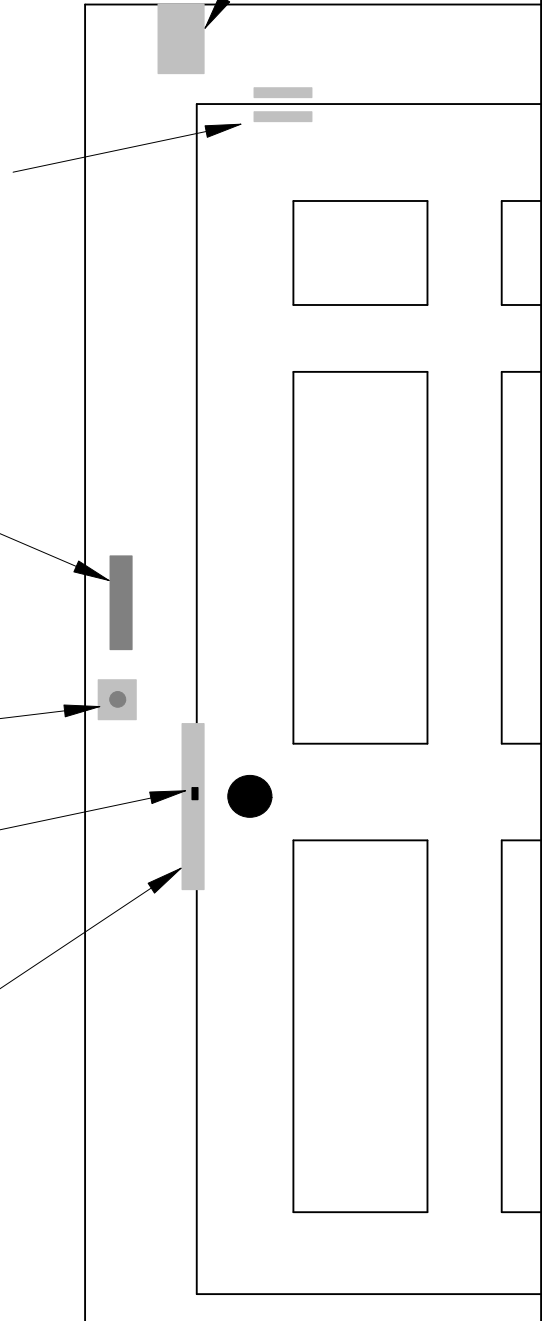
Palm Switch or Other Exit Device  
 for Manual Exit



Keeper Switch  
 Used to monitor Door Position  
 Replaces Magnetic Sensor



Electric Strike  
 24 Volt DC Recommended  
 12 Volt DC Optional  
 With Latch Position Sensor or  
 Keeper Switch for Door Position  
 Sensing

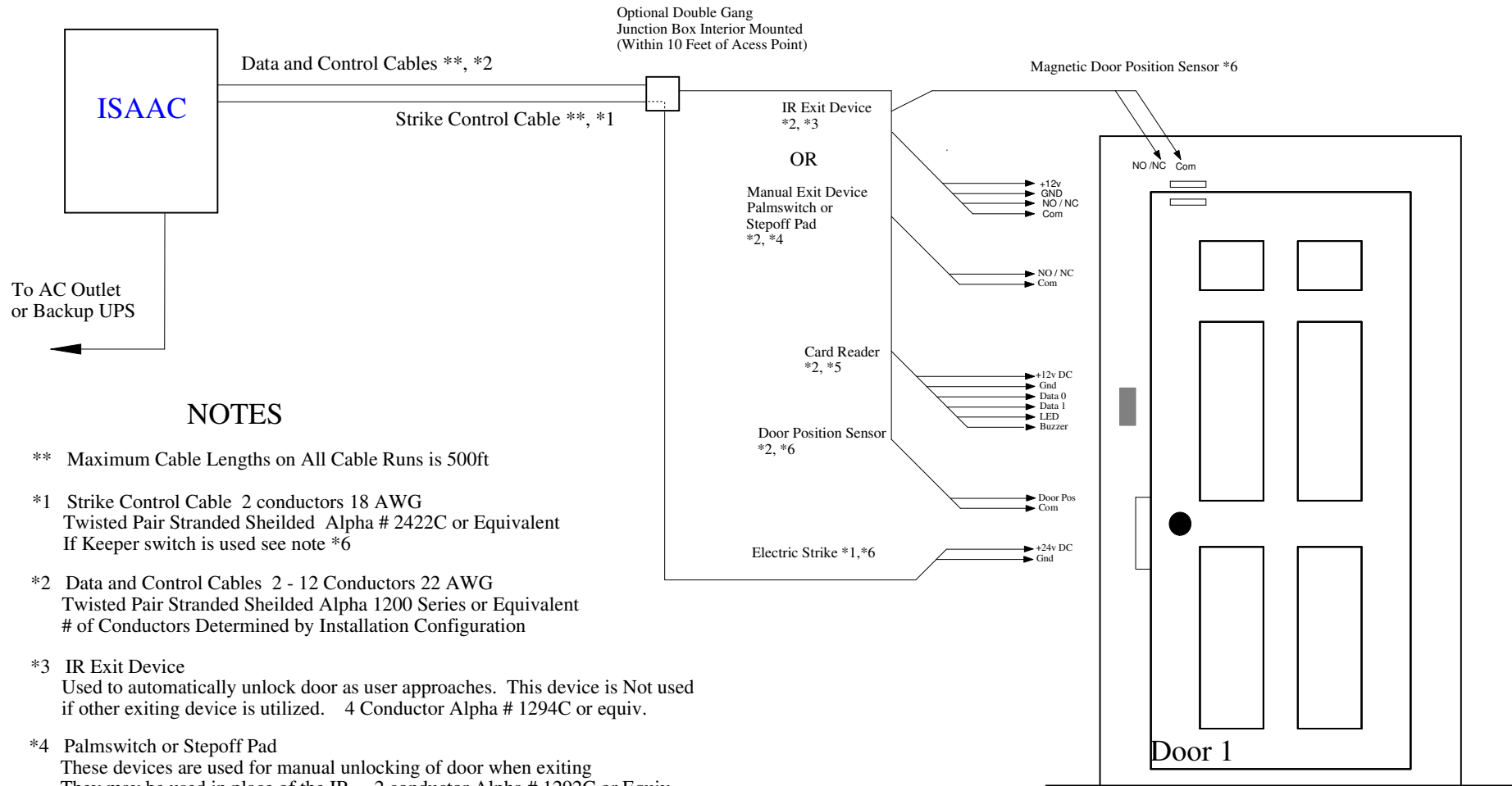


Customer:

Purchase Order #

Signature:	Date
Drawn By:	
Checked By:	
Approved By:	

Dwg Name: **ISAAC Component Layout**  
 Dwg. Number: **ISAAC 01.02**  
 Revision:

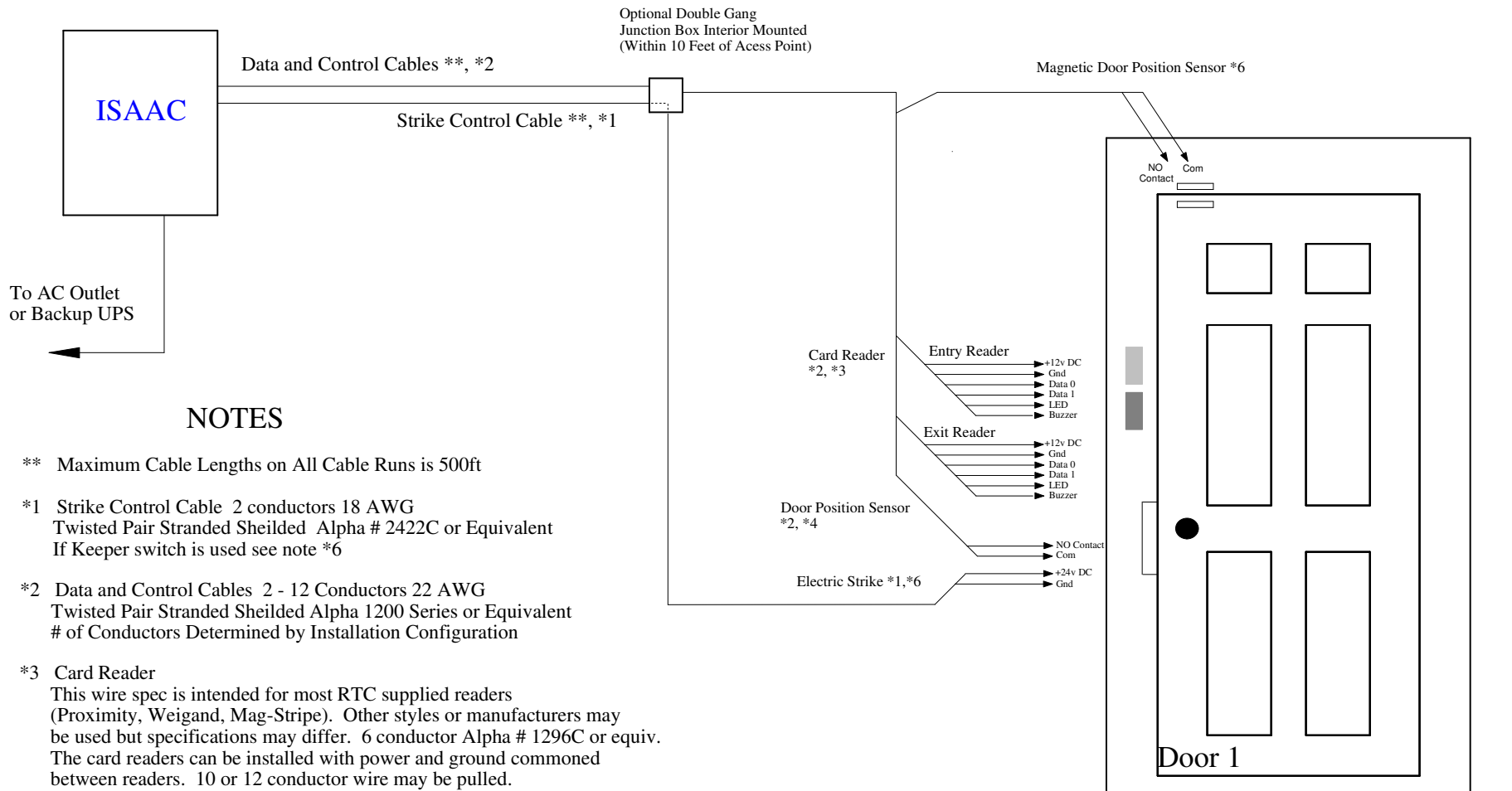


### NOTES

- \*\* Maximum Cable Lengths on All Cable Runs is 500ft
- \*1 Strike Control Cable 2 conductors 18 AWG  
Twisted Pair Stranded Shielded Alpha # 2422C or Equivalent  
If Keeper switch is used see note \*6
- \*2 Data and Control Cables 2 - 12 Conductors 22 AWG  
Twisted Pair Stranded Shielded Alpha 1200 Series or Equivalent  
# of Conductors Determined by Installation Configuration
- \*3 IR Exit Device  
Used to automatically unlock door as user approaches. This device is Not used if other exiting device is utilized. 4 Conductor Alpha # 1294C or equiv.
- \*4 Palmswitch or Steppoff Pad  
These devices are used for manual unlocking of door when exiting  
They may be used in place of the IR. 2 conductor Alpha # 1292C or Equiv.
- \*5 Card Reader  
This wire spec is intended for RTC supplied readers (Proximity, Weigand, Mag-stripe).  
Other styles or manufacturers may be used but specifications may differ.  
6 conductor Alpha # 1296C or equiv.  
If Exit card reader is installed power and ground may be shared.  
10 - 12 conductor Alpha # 1299/10C or 1299/12C
- \*6 Door Position Sensors  
Magnetic sensor or Electric Strike keeper switch may be used  
2 conductor 22AWG Alpha # 1292C or equiv.  
A 4 conductor 18AWG cable me used in place of note \*1 if wiring  
to the electric strike keeper switch. Alpha # 2424C or equiv.

To AC Outlet  
or Backup UPS

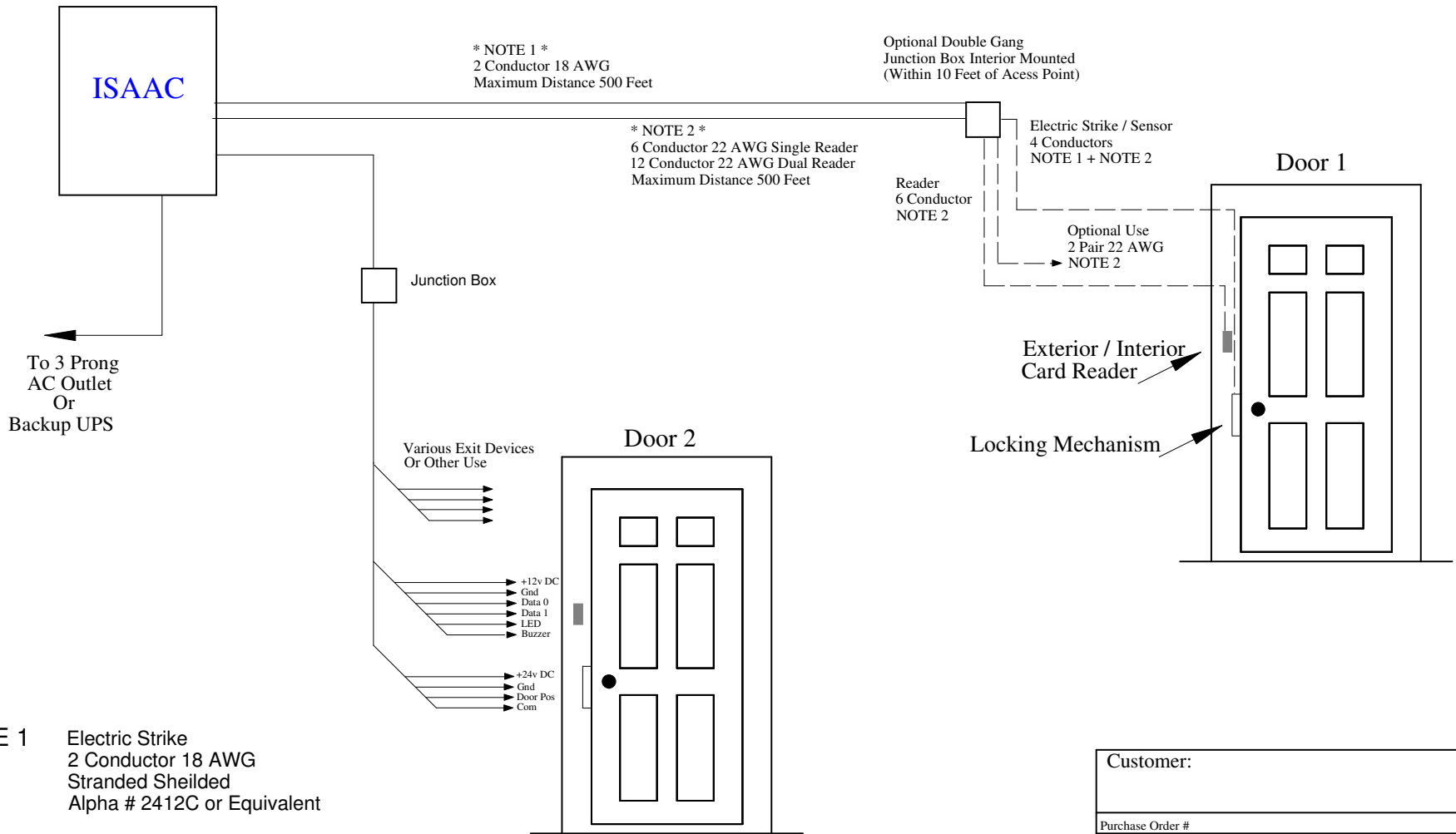
Customer:	
Purchase Order #	
Signature:	Date:
Dwg Name:	Single Reader Wire Layout
Checked By:	Dwg. Number ISAAC 02.03
Approved By:	Revision:



### NOTES

- \*\* Maximum Cable Lengths on All Cable Runs is 500ft
- \*1 Strike Control Cable 2 conductors 18 AWG Twisted Pair Stranded Sheilded Alpha # 2422C or Equivalent If Keeper switch is used see note \*6
- \*2 Data and Control Cables 2 - 12 Conductors 22 AWG Twisted Pair Stranded Sheilded Alpha 1200 Series or Equivalent # of Conductors Determined by Installation Configuration
- \*3 Card Reader  
This wire spec is intended for most RTC supplied readers (Proximity, Weigand, Mag-Stripe). Other styles or manufacturers may be used but specifications may differ. 6 conductor Alpha # 1296C or equiv. The card readers can be installed with power and ground commoned between readers. 10 or 12 conductor wire may be pulled. 10 - 12 conductor Alpha # 1299/10C or 1299/12C
- \*4 Door Position Sensors  
Magnetic sensor or Electric Strike keeper switch may be used 2 conductor 22AWG Alpha # 1292C or equiv. A 4 conductor 18AWG cable me used in place of note \*1 if wiring to the electric strike keeper switch. Alpha # 2424C or equiv.

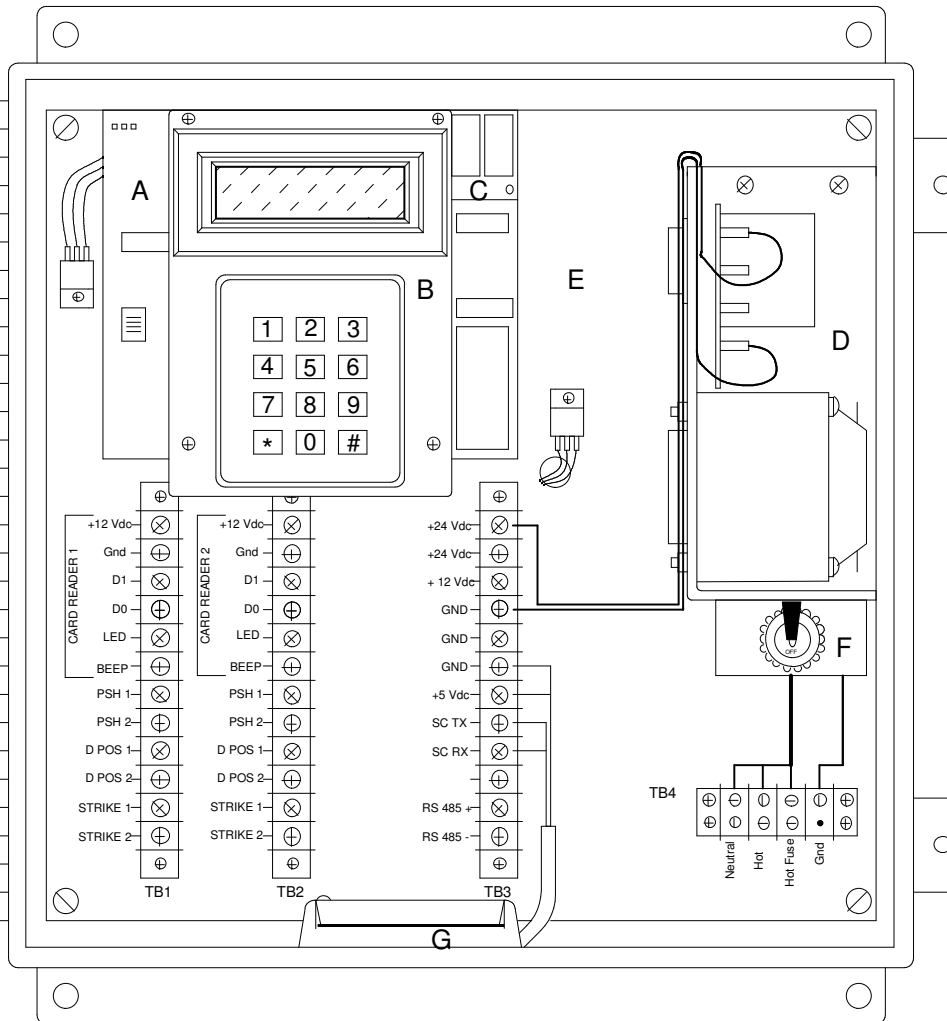
Customer:	
Purchase Order #	
Signature:	Date
Drawn By:	Dwg Name: <b>Dual Reader Wire Layout</b>
Checked By:	Dwg. Number <b>ISAAC 04.01</b>
Approved By:	Revision:



**NOTE 1** Electric Strike  
2 Conductor 18 AWG  
Stranded Shielded  
Alpha # 2412C or Equivalent

**NOTE 2** Communication and Sensors  
22 AWG Stranded Shielded  
2 Conductor Alpha # 1212C or Equivalent  
6 Conductor Alpha # 1296C or Equivalent  
12 Conductor Alpha # 1299/12C or Equivalent

Customer:	
Purchase Order #	
Signature:	Date
Drawn By:	Dwg Name: <b>ISAAC Basic Layout</b>
Checked By:	Dwg. Number <b>ISAAC 03.02</b>
Approved By:	Revision:



- A: RTC GPI Board 10-0019
- B: Display and Keyboard Assembly
- C: RTC Relay Board 10-0029
- D: Power One 24vdc 2.4a Power Supply
- E: Aluminum Mounting Panel and Termstrip Assembly
- F: Fuse Assembly with a 1a 3ag Fuse and On/Off Switch
- G: Smart Card Reader / Writer

Note: Items B and G are not installed in networked units.

Customer:

Purchase Order #

Signature:	Date:	Dwg Name: <b>ISAAC Box Layout</b>
Drawn By:		Dwg. Number <b>ISAAC 05.01</b>
Checked By:		Revision:
Approved By:		